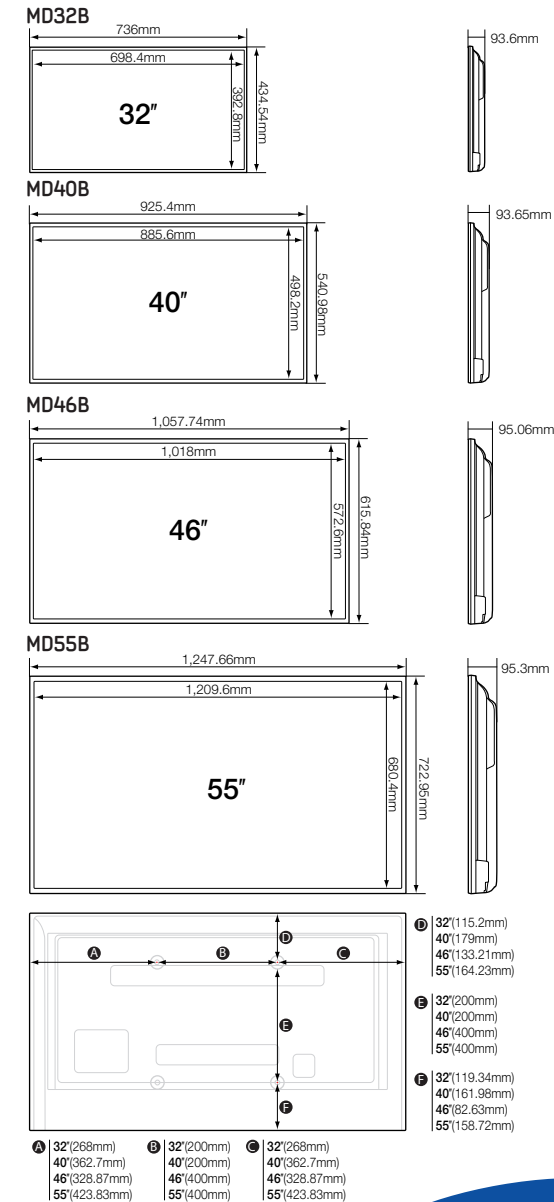


Specification

		MD32B (TBD)	MD40B (TBD)	MD46B (TBD)	MD55B (TBD)	
Panel	Diagonal Size	32"	40"	46"	55"	
	Type	60Hz LED BLU	60Hz LED BLU	60Hz LED BLU	120Hz LED BLU	
	Resolution	1920 X 1080 (16:9)	1920 X 1080 (16:9)	1920 X 1080 (16:9)	1920 X 1080 (16:9)	
	Pixel Pitch (mm)	0.12125 (H) X 0.36375 (V)	0.15375 (H) X 0.46125 (V)	0.17675 (H) X 0.53025 (V)	0.21 (H) X 0.63 (V)	
	Active Display Area (mm)	698.4 (H) X 392.85 (V)	885.6 (H) X 498.15 (V)	1,018.08 (H) X 572.67 (V)	1,209.6 (H) X 680.4 (V)	
	Brightness (Typ.)	350nit (TBD)	350nit (TBD)	350nit (TBD)	350nit (TBD)	
	Contrast Ratio	4000:1 (TBD)	4000:1 (TBD)	4000:1 (TBD)	4000:1 (TBD)	
Connectivity	INPUT	RGB	Analog D-SUB, DVI-D	Analog D-SUB, DVI-D	Analog D-SUB, DVI-D	Analog D-SUB, DVI-D
		VIDEO	Component (CVBS Common), HDMI	Component (CVBS Common), HDMI	Component (CVBS Common), HDMI	Component (CVBS Common), HDMI
		AUDIO	Stereo Mini Jack	Stereo Mini Jack	Stereo Mini Jack	Stereo Mini Jack
	OUTPUT	RGB	N/A	N/A	N/A	N/A
		VIDEO	N/A	N/A	N/A	N/A
		AUDIO	Stereo Mini Jack	Stereo Mini Jack	Stereo Mini Jack	Stereo Mini Jack
Power Out	N/A	N/A	N/A	N/A		
EXTERNAL CONTROL	RS232C (In/Out), RJ45	RS232C (In/Out), RJ45	RS232C (In/Out), RJ45	RS232C (In/Out), RJ45		
Type	Internal	Internal	Internal	Internal		
Power Supply	AC 100 - 240 V, 50/60 Hz	AC 100 - 240 V, 50/60 Hz	AC 100 - 240 V, 50/60 Hz	AC 100 - 240 V, 50/60 Hz		
Power	Power Consumption	Max[W/h]	TBD	TBD	TBD	TBD
		Typical[W/h]	TBD	TBD	TBD	TBD
		Sleep mode	less than 1W	less than 1W	less than 1W	less than 1W
		Off mode	less than 1W	less than 1W	less than 1W	less than 1W
Mechanical Spec	Dimension (mm)	Set	736.0 X 434.54 X 93.6 (TBD)	925.4 X 540.98 X 93.65 (TBD)	1,057.74 X 615.84 X 95.06 (TBD)	1,247.66 X 722.95 X 95.3 (TBD)
		Package	TBD	TBD	TBD	TBD
	Weight (kg)	Set	6.0 (TBD)	9.5 (TBD)	12.5 (TBD)	18.5 (TBD)
		Package	7.9 (TBD)	13.5 (TBD)	16.1 (TBD)	26.4 (TBD)
	VESA Mount	200 X 200mm	200 X 200mm	400 X 400mm	400 X 400mm	
Bezel Width (mm)	14mm (TBD)	15mm (TBD)	15mm (TBD)	15mm (TBD)		
Operation	Operating Temperature	0° - 40°	0° - 40°	0° - 40°	0° - 40°	
	Humidity	10-80%	10-80%	10-80%	10-80%	

Dimension



Enhanced performance
with cost-effective solution

The Samsung MD series enables users to enjoy an expansive visual experience in environments from small food and beverage outlets, retail shops and other leisure places. What's more Direct LED technology lets you enjoy the many benefits of innovation LED technology, slim and light design, and reduced power consumption for a lower cost.



MD series



Display Type	LED BLU (Backlight Unit)
Resolution	1920 X 1080
Inch Option	32" / 40" / 46" / 55"

Key Features

- Direct LED technology
- Lower power consumption
- Narrow bezel
- Embedded media player

Application

- Retail
- Restaurant, pubs & clubs
- Corporate



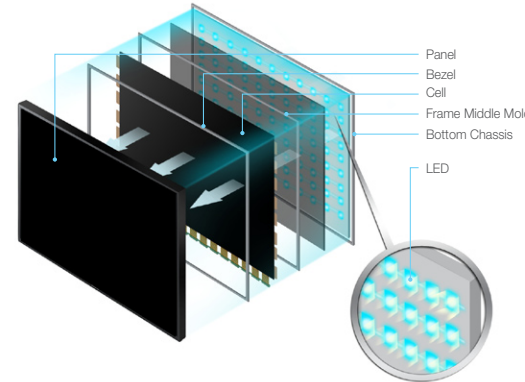
* Please visit the website to verify detail specifications

To learn more about Samsung LFD or to find your nearest partners, please visit: www.samsunglfd.com

Direct LED

Cost-effective display solutions with Direct LED technology

At Samsung Direct LED Displays, the LED are situated behind the panel and the light is emitted from the rear. This means that you can enjoy the same innovation LED technology for much less.

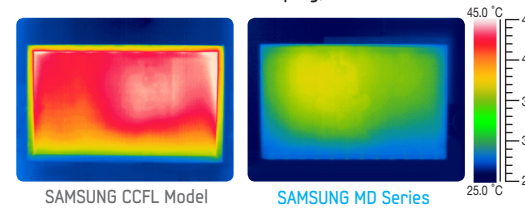


Lower power consumption

The Samsung MD series delivers a cost-effective solution that's also gentle on the planet with the eco-friendly, low power consuming with LED back light solution.

Plus, you can optimise the conditions of your digital signage by reducing the amount of heat radiating through the actual display area. Conventional LFDs emit consistent amounts of heat across the breadth of the display, while the new Samsung LFD not only minimise it but centralise it around the sides of the screen. What this means for you is not only lower power consumption but, more importantly, lower running costs.

All these benefits prove helpful in creating a more enjoyable environment to be in, especially when working in close proximity to the displays.



Reduced maintenance

With a quick and easy installation, setting up your business LFD can be achieved with minimal fuss. The stand-alone unit requires no additional media players or PC support for scheduling so maintenance costs are reduced.

Narrow bezel for maximum viewing

You'll find the Samsung LED LFD brings with it a slim bezel and light design, yet it offers heavy weight communication solutions for any modern business looking to convey concise marketing or educational messages. Its sheer narrowness of bezel removes any distractions from your sight to provide a greater surface area. Whilst its lightness makes it easy to transport and mount.

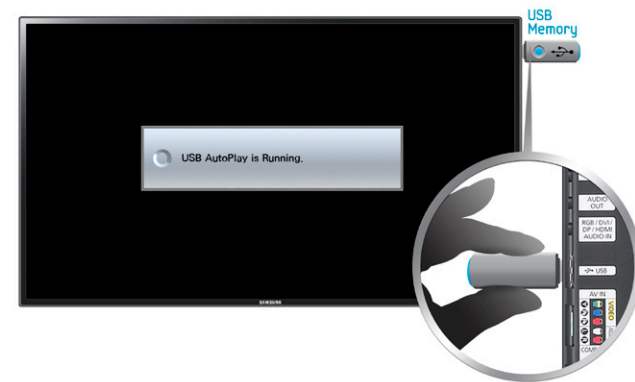


Enhanced user experience

Samsung LFDs leverage the most cutting-edge technology to provide enhanced functionality aligned to your business needs.

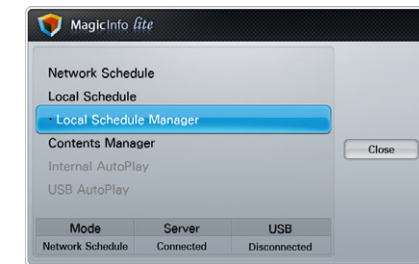
Embedded media player

In your day-to-day work it's a constant challenge to make sure your sales or educational messages are noticed quickly with maximum impact. With the built-in media player for your Samsung LFD, you can elevate your display capabilities more than you ever thought possible.



MagicInfo Lite : scheduling function, auto play function

The inclusion of our Samsung MagicInfo Lite software enables you to run the LFD as a standalone unit without the need of additional players, display and schedule video clip, slide show and image files increased versatility. Its features include Network Schedule, Network Schedule Manager, Local Schedule, Local Schedule Manager, Contents Manager, Internal AutoPlay and USB AutoPlay.



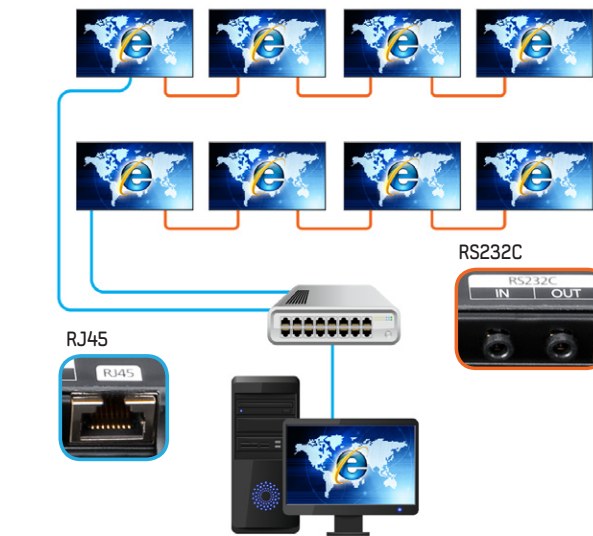
- MagicInfo Lite
- Network Schedule
 - Network Schedule Manager
 - Local Schedule
 - Local Schedule Manager
 - Contents Manager
 - Internal AutoPlay
 - USB AutoPlay

• Various connectivity from analogue to digital

Access a wide range of digital content for a more engaging user experience with our comprehensive connectivity options. Connect PCs and other compatible devices to display the content that is most relevant to your audience.

• Ethernet / RS-232C remote control

The MD series lets you control your display with both Ethernet / RS-232C remote control simultaneously. What's more it features a built-in LAN card, allowing users to access the network without the need for additional devices or infrastructure.



• Auto brightness sensor

The brightness sensor detects the ambient light intensity and automatically adjusts the screen brightness in accordance.



Connectors

1. RGB / DVI / HDMI / AUDIO IN
2. AUDIO OUT
3. USB
4. DVI IN
5. HDMI IN
6. RGB IN
7. RJ45
8. COMPONENT / AV IN
9. RS232C IN
10. RS232C OUT



Smart scheduling

Keep your display running efficiently at all times. This Samsung LFD boasts a smart scheduling feature. The automatic power on/off function allows you to designate time, day, volume, input source and holiday dates.

Landscape or portrait Mode to fit your needs

This Samsung LFD gives you the flexibility to install your display vertically or horizontally—depending on your available space. Add to this a pivot function that rotates the screen 90° degrees, and you have an accommodating and versatile display.