



Evoko Room Manager

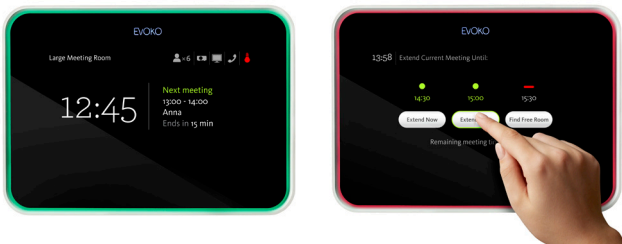
Put an end to booking hassle and get higher meeting room usage.

Difficulty finding a free meeting room? The Evoko Room Manager solves this simply with the aid of small, elegant touch-sensitive screens that display the booking status of a meeting room clearly at the door. The complete system is based on Outlook*, and this means that you don't have to learn any new software and that you can book a room from your own computer. In addition it has support for Microsoft's "Cloud"-application MS Office 365 and Outlook Web Access, which gives you the freedom to book from a distance. The screen displays who has booked the room and for how long, and it is possible to make or cancel a booking directly on the screen. Extending an ongoing meeting is as simple as reaching out through the door! Green or red LED background illumination allows it to be seen at a distance

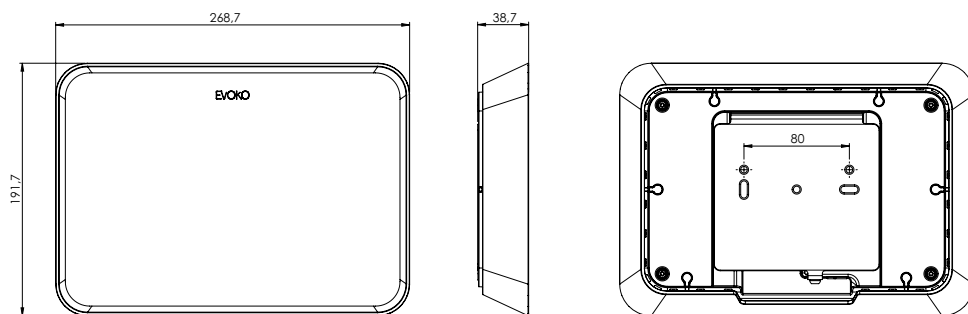
whether the room is free or occupied, and the screen can suggest alternative rooms that are free. Nothing is left out: Confirm the meeting by touching the "Confirm the start of the meeting" button. If your booking is not confirmed it will automatically be released for booking again! You can choose, at installation, if you want to activate this function or not. The system even includes a "Report" function for reporting faults of the projector or other technical equipment. The Evoko Room Manager is installed without any additional server or software on the company's Exchange server. Not even a plug-in in Outlook* is needed. This means that the installation will not trespass on IT security. Furthermore, it makes the installation itself real easy.

- Easy to install.
 - No new server is required.
 - No additional software installation needed on the company's Microsoft Exchange server.
 - No new software installation on the users' computers and no heavy programming is needed.
 - Easy to use.
 - The complete system is based on Microsoft Outlook*.
 - No need to learn new software.
 - Book meetings in Microsoft Outlook* or directly on touch screen.
 - Display the meeting organizer and/or the subject for the meeting (simultaneously).
 - Quickly find a free room just by looking for a room that shows green light.
 - Book an instant meeting directly on the touch screen.
 - Extend an ongoing meeting directly on the touch screen.
 - End an ongoing meeting directly on the touch screen.
 - Find a free room directly on the touch screen.
 - Confirm the start of the meeting by touching the icon on the screen. If the start is not confirmed the screen will return to green light and the room will once again be available for booking.
 - Check equipment status to make sure that vital technical equipment for the meeting is working before entering the meeting room.
 - Report a problem connected to technical equipment in the meeting room.
 - System requirements:
 - Direct http/https access to MS Exchange server 2003, 2007, 2010 or Office 365.*
 - Proper time and time zone settings on MS Exchange server must be set.
- * Make sure that no security functions or programs block or restrict a direct http/https communication between the Exchange server and the Evoko Room Manager (i.e. domain control, firewalls, proxies, network logins etc.)
- **MS Exchange server 2003/WebDav needs to access:**
[https://<exchangeserver \(ip or domain\)>/exchweb/bin/auth/owaauth.dll](https://<exchangeserver (ip or domain)>/exchweb/bin/auth/owaauth.dll) (authentication)
[https://<exchangeserver \(ip or domain\)>/Exchange/room@domain.com](https://<exchangeserver (ip or domain)>/Exchange/room@domain.com) (read calendar)
 - **MS Exchange server 2007/WebDav needs to access:**
[https://<exchangeserver \(ip or domain\)>/exchweb/bin/auth/owaauth.dll](https://<exchangeserver (ip or domain)>/exchweb/bin/auth/owaauth.dll) (authentication)
[https://<exchangeserver \(ip or domain\)>/Exchange/room@domain.com](https://<exchangeserver (ip or domain)>/Exchange/room@domain.com) (read calendar)
 - **MS Exchange server 2007/EWS needs to access:**
[https://<exchangeserver \(ip or domain\)>/EWS/Exchange.asmx](https://<exchangeserver (ip or domain)>/EWS/Exchange.asmx)
 - **MS Exchange server 2010/EWS needs to access:**
[https://<exchangeserver \(ip or domain\)>/EWS/Exchange.asmx](https://<exchangeserver (ip or domain)>/EWS/Exchange.asmx)
- Display Size: 8 inches.
 - Touch Screen.
 - Ethernet Controller: 10/100 Mbit.
 - Device Input Power Sources: PoE – 48 V DC by RJ45. AC-DC Adapter 12 V DC by DC Jack.
 - PoE-PD Specification Version: IEEE 802.3-2005 (previously 802.3af).
 - PoE Maximum Power: 12.95 W.
 - USB: x1, Host, 1,5/12 Mbit, USB-A connector.
 - RJ45: x1, Ethernet 10/100 Mbit, PoE.
 - DC in: x1, 12 VDC.
 - LED Type (status light): Hyper Red, Super Green.
 - Complies with RoHS directive.
 - EMC: CE.
 - Electrical safety: CE.
 - AC/DC Adapter: CE-approved, 12 V DC output, 300 mm cable.
 - User interface languages: English, French, German, Spanish, Catalan, Galician, Basque, Portuguese, Italian, Russian, Polish and Czech.
 - Frame and main casing: Aluminum alloy.
 - Colour: White.
 - Size: 270 x 192 x 39 mm.
 - Weight: 1.3 kg.

ARTICLE NO: Evoko Room Manager ERM1001-series



Crystal clear. Green or red LED background illumination shows at a distance whether the meeting room is free or occupied. You can check the booking status with a few simple commands, and make or cancel your own bookings, or extend an ongoing meeting. The Evoko Room Manager is automatically synchronised with bookings made in Outlook*.



EVOKO